



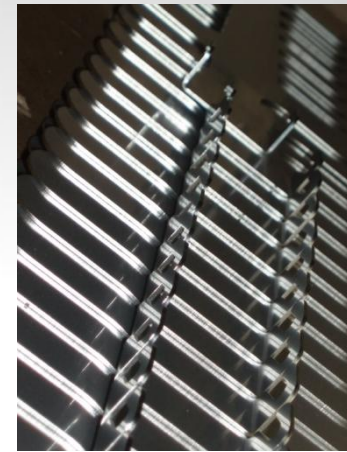
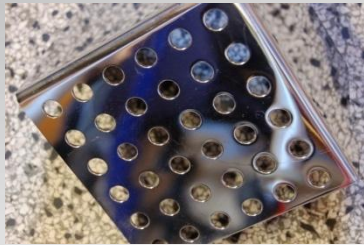
ADVANCED METAL SOLUTIONS



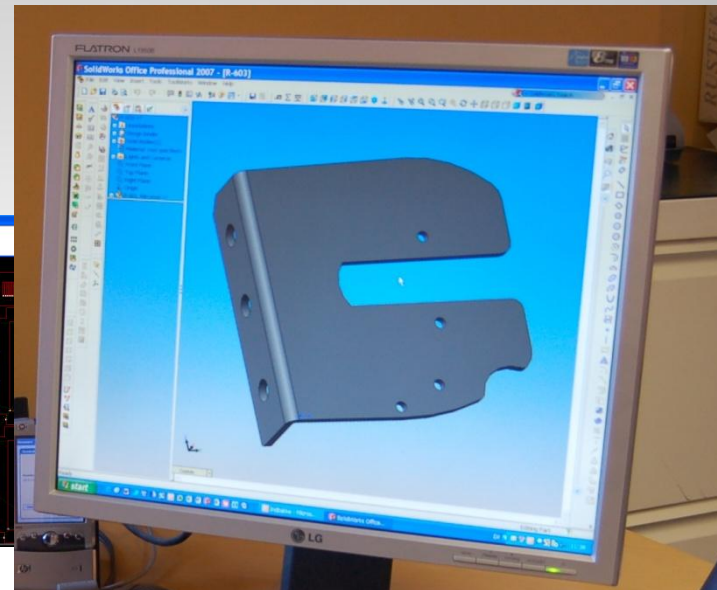
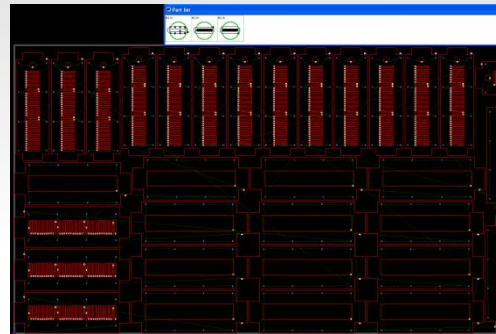
RUSTEK has modern facilities, with space and possibilities for growth, true many years to come.



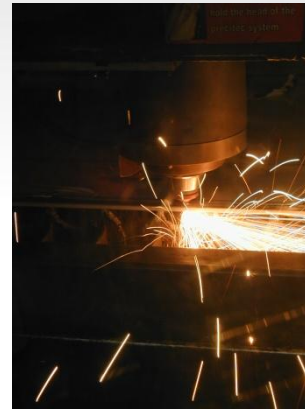
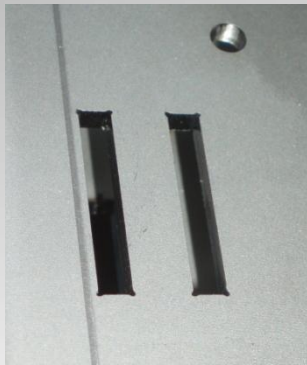
**RUSTEK is number
one
in sheet metal working.**



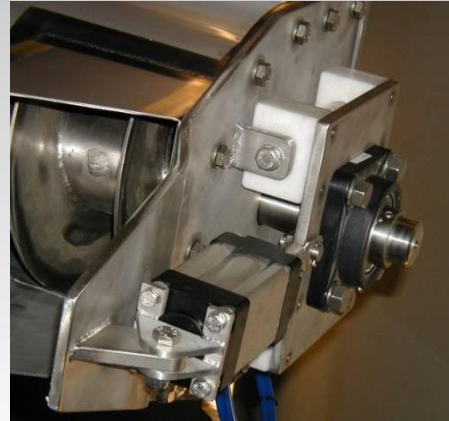
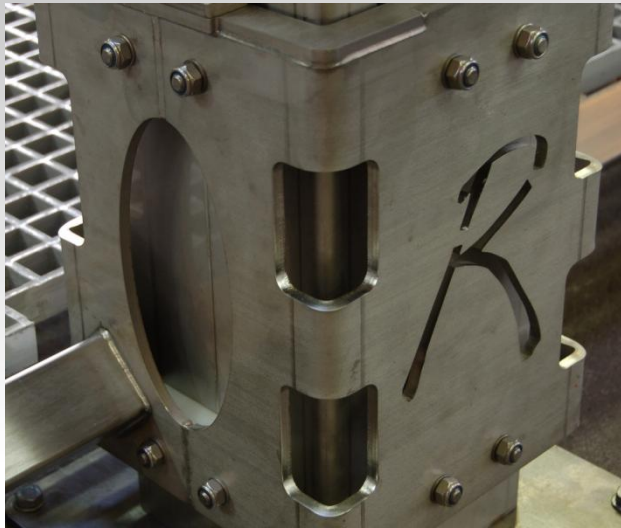
RUSTEK is developing and designing our products in 3D, and together with other advanced 3D/2D programs, we are able to simulate and check, the majority of all parts before sending to production. Also programs for the machines are made offline, to make the production lines, as efficient as possible.



**RUSTEK is Laser cutting, drilling,
bending, welding, grinding, polishing
etc.!!**

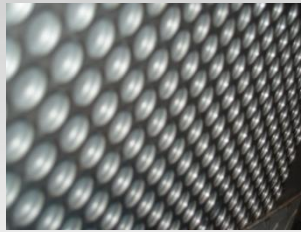


RUSTEK has an extraordinary large knowledge, in the field of stainless steel.

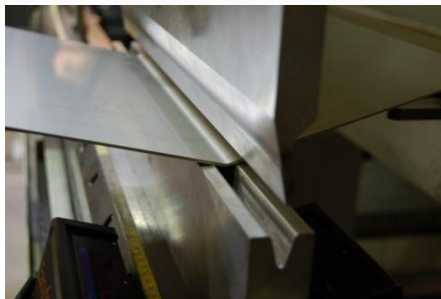
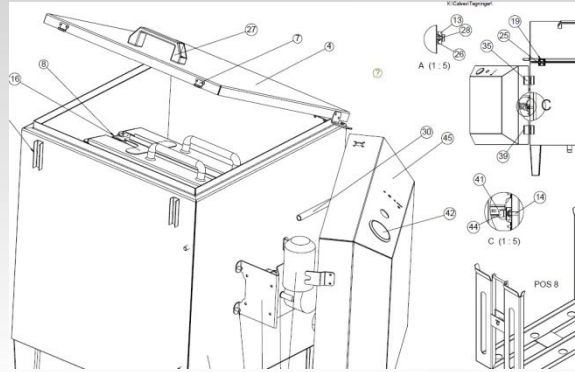
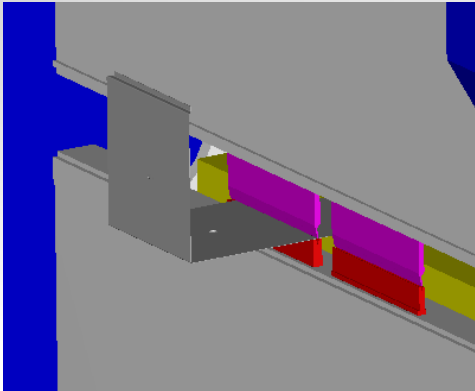


RUSTEK is a known supplier, of parts in all kinds of metal!

Normal steel
Stainless steel
Aluminum
Hardox
Hardened steel
Galvanized
Heat-resistant steel
Hard-wearing steel
Perforated steel
Certified steel
Etc. Etc.



RUSTEK takes part in designing customer parts, if wanted, we give our recommendations to improve and prepare parts for production. In this way we often find both design improvements, savings in costs, and making sure that the quality defined by the customer can be obtained..



RUSTEK sees it as our responsibility, to keep on developing the production principles, and technologies, to continuously improve the quality and costs of the customer's products.

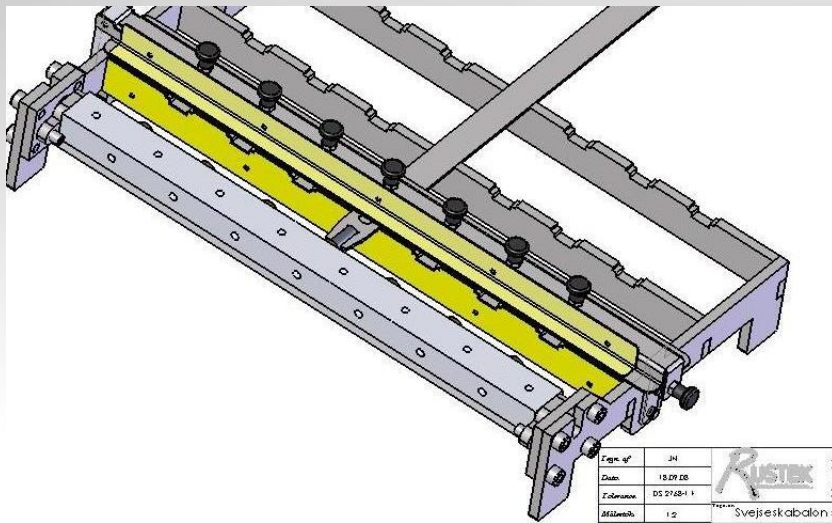
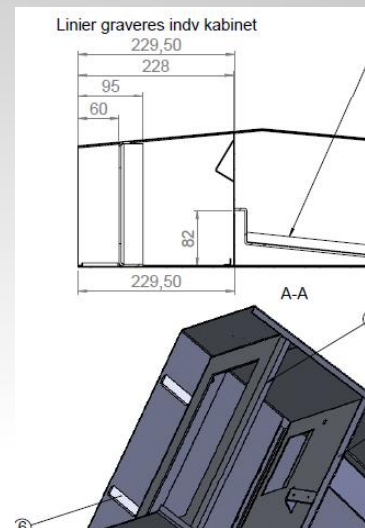


Fig. nr	24		2024 05 2024 05
Dato	18.09.2024		
Forskrift	DS 2148-1.1		
Udgave	1.2		

Svejseskabalen s



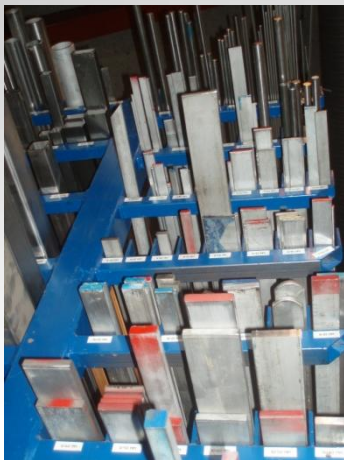
RUSTEK is a specialist in manufacturing prototypes..



RUSTEK's employees are highly skilled workmen, with widely knowledge in manufacturing high quality steel parts. Our staff has typically a high seniority, and is able to quickly adapt themselves to new assignments.



RUSTEK's stocks is always updated, we have far the most steel components/sheets normally used, in our stockpile, which ensures stability and if necessary, speed in deliveries..



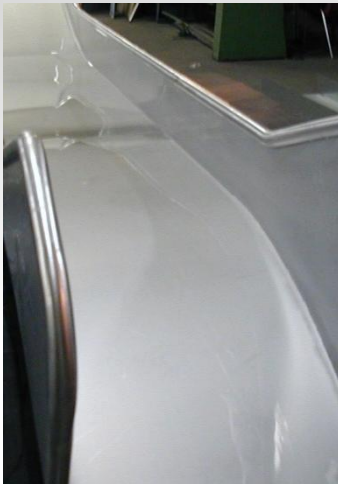


Advanced machinery!!

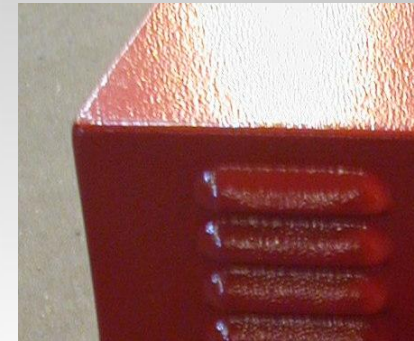


RUSTEK has highly skilled, and closely placed subcontractors, meaning fast and wide-ranging product span, without extra costs for our customers..

Pickling and
Passivating



Galvanizing



Grinding/
Painting

Business areas where we operate:

Food industry

Energy sector / wind energy - district heating – etc.

Metal industry

Agriculture machinery

Building contractors

Automation / Robotics

Pharmaceutical industry

Hydraulics

Etc.



SERVICE is our middle name!!!!

